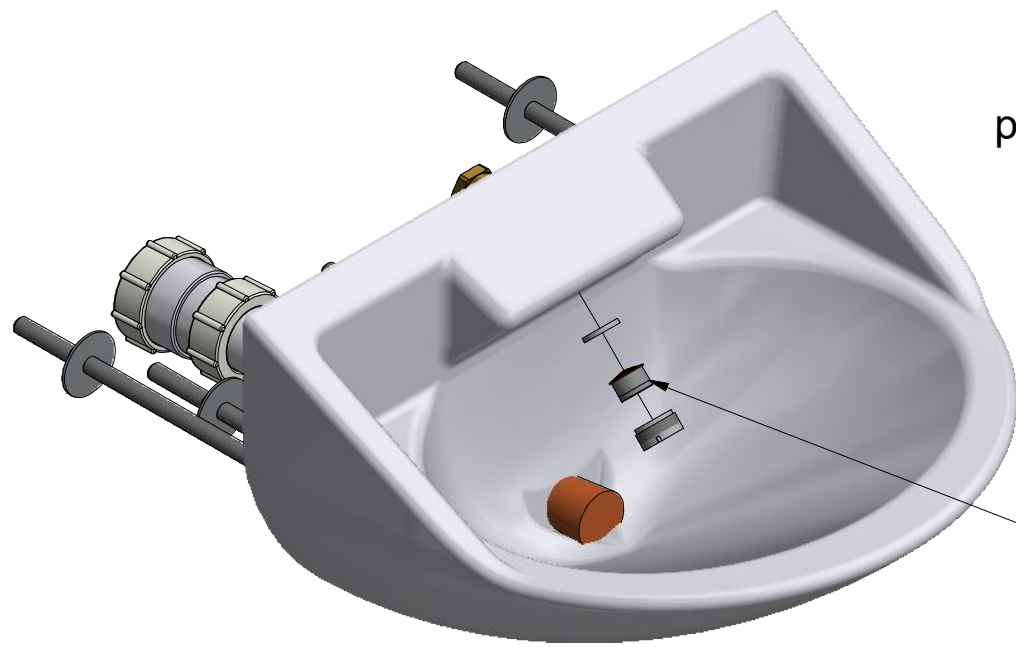


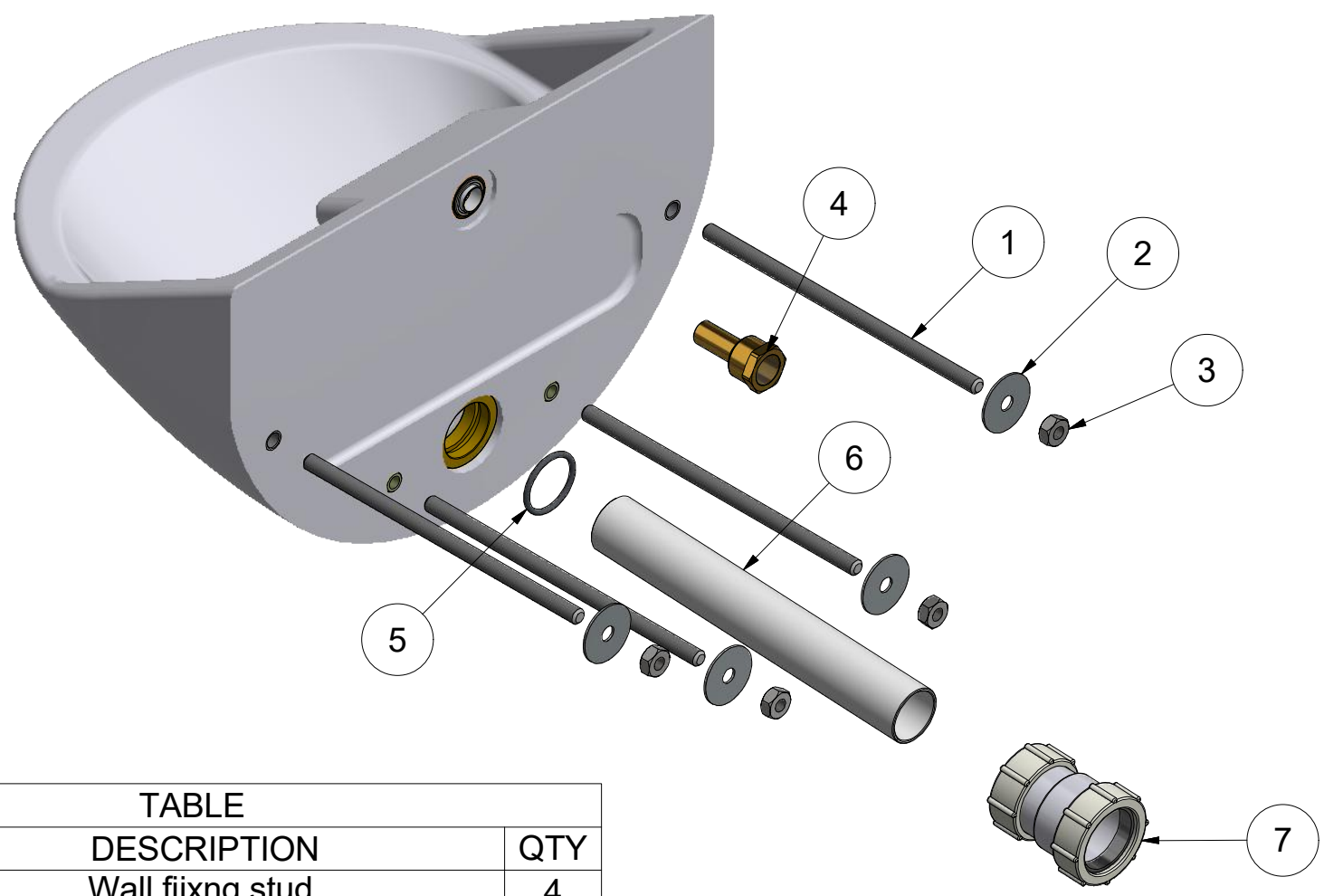
REVISION HISTORY

REV	DATE	DESCRIPTION	BY	CHKD
2	28/02/2018	ECN No. 2018/0002	PH	RD

Important!
In order to maintain the anti-ligature and anti vandal properties of this product, it must be installed in line with the instructions provided.



THE AERATOR WITH FLOW REGULATOR IS SUPPLIED FITTED TO THE BASIN BUT CAN BE REMOVED BY UNSCREWING THE STAINLESS STEEL LOCKING RING WITH THE KEY PROVIDED.



Assembly details:

Refer to the basin product manual for full installation details.

1. Fit the basin wall fixing studs (Item 1) to the threaded inserts on the basin back. Ensure each stud screws in by a minimum of 35mm & tighten to 6Nm.
 2. Fit the 1/2" BSP adapter (Item 4) into the water connection fitting in the rear of the basin. The adapter is a push fit into the connector. Ensure that the end of the adapter is free of sharp burrs & is free of any visible damage such as being deformed, dented or heavily scratched which may result in a failure of the water seal. The adapter must be inserted into the connector to a depth of 23.5mm.
 3. Connect a water supply pipe to the 1/2" BSP adapter.
 4. Fit the waste pipe (Item 6) to the basin waste outlet socket. The socket is fitted with an O ring seal. Prior to fitting the pipe, ensure the pipe end is free of burrs & is slightly chamfered & moisten/lubricate the pipe end or the O ring seal to ease the fit of the pipe which is a push fit into the socket. The pipe must push in by 20mm & should be angled downwards by 1° to give a fall for water drainage. A compression adaptor (32mm - 40mm) (Item 8) is supplied for the waste pipe.
 5. Mount the basin onto the wall taking care to avoid damage to the supply pipe & the waste pipe as they pass through the wall. Fit the nuts & washers onto the wall fixing studs & hand tighten only.
 6. Check the position of the basin to ensure it is level in all three planes & to ensure it is not being supported by resting on the water supply tube. Gradually tighten each wall fixing nut in a diagonal pattern to a maximum torque of 17Nm.
 7. Connect the water supply feed to the supply pipe, the inlet supply pipework must be supported in line with the tap fitting to relieve stress acting upon it.
- Note: A means of controlling the hot water temperature is required, such as a TMV3 valve. The electronic basin controls do not control water temperature.**
8. Connect a deep seal waste trap to the waste supply pipe and then to the basin waste pipe adaptor (Size 40mm). Note that that the waste trap should be positioned below the level of the basin waste pipe to provide a good drainage flow rate.
 9. The basin must be sealed to the wall using an anti pick hard set mastic such as Sikadur 33.
 10. Carry out final commissioning of the product to ensure its correct operation and set up. Further details are available in the basin product manual.

TABLE

ITEM	DESCRIPTION	QTY
1	Wall fixing stud.	4
2	Wall fixing washer.	4
3	Wall fixing nut.	4
4	1/2" BSP adapter	1
5	Waste connector O ring seal.	1
6	Waste pipe.	1
7	Waste pipe adaptor (ø32mm - ø40mm)	1

© 2018 Copyright THIS DRAWING IS THE PROPERTY OF WALLGATE LIMITED AND IS ISSUED ON THE STRICT UNDERSTANDING THAT THE INFORMATION CONTAINED WILL NOT BE REPRODUCED, COPIED OR USED WITHOUT PRIOR AGREEMENT OF WALLGATE LTD.



TITLE: COMPONENTS PACKED WITH BASIN
Drg No: WHB-201-NB-AUS-INS-KIT
Model/Client/Project:

MATERIAL:
FINISH:

Limits: (unless stated)
± 0.25mm (sheetmetal)
± 0.10mm (machined)
± 2.00mm (pattern)
± 5.00mm (moulded)
All dimensions in mm,
All angles 90° (unless stated)
Scale: NTS
A3 3rd